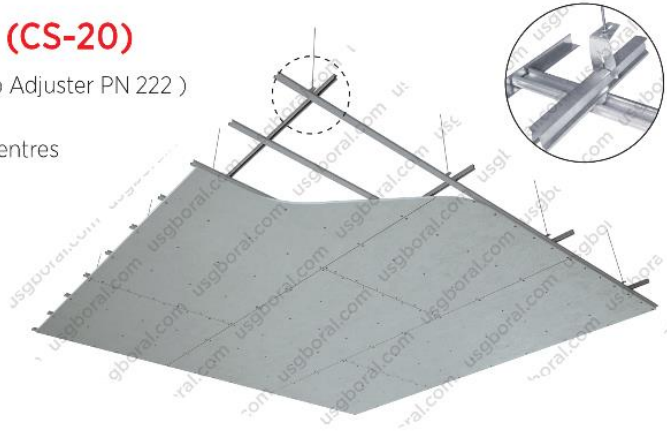
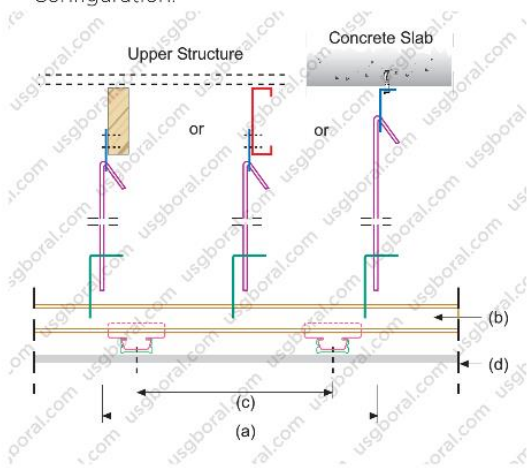


Standard Ceiling Easy Frame < 100 m² (CS-20)

Frame : JayaBMS Hanger System (Bracket PN 220/221, Clip Adjuster PN 222)
 at 1000mm max. centres
 JayaBMS Top Cross Rail PN 250 at 1000mm max. centres
 JayaBMS Batten PN 251 at 600mm

Board : 1 layer of Jayaboard Sheetrock 9mm
 Weight : ± 6.5 Kg/m²

Configuration:



Plasterboard (d)	Material	Max frame space (mm)	
Jayaboard Sheetrock 9mm	Suspension Clip PN 222	a	1000
	Top Cross Rail PN 250	b	1000
	Ceiling Batten PN 251	c	600

Note:
 All plasterboard joints shall be staggered.
 Deflection limit L/240
 Allowable for area up to 100 m²
 Performance values are for imperforate, jointed systems using only JayaBMS components and installed to the USG Boral Indonesia specification given.