



## USG Boral Gypsum Board Ceiling Tiles

### 8mm Press Engraved Ceiling Tiles Submittal Sheet

USG Boral 8mm Press Engraved is a slim and lightweight ceiling tile specially designed for easy application and aesthetic feature. The well embossed surface is finished with special paint to provide good light reflectance.

**USG BORAL**  
INNOVATION INSPIRED BY YOU.™ 

[USGBoral.com](http://USGBoral.com)

Plasterboard

Ceilings

Interior Finishes

Metal Framing

Substrates

# USG Boral Press Engraved 8mm Ceiling Tiles

## Submittal Sheet

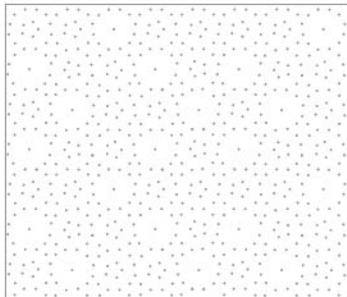
### Features and Benefits

- Lightweight
- Easy application
- Painted finish
- Good light reflectance – surface is finished with special paint
- Economical – slim and require no further painting which reduces transportation and logistics cost.

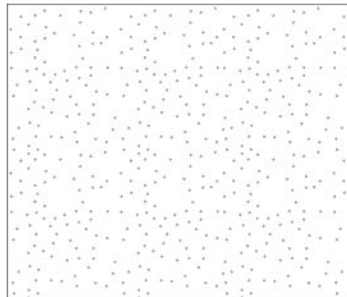
### Application

- Retail Shops
- Departmental Stores
- Office / Conference Rooms
- Corridors
- Schools
- Living room / Bedroom

### Texture Options



- Byhua



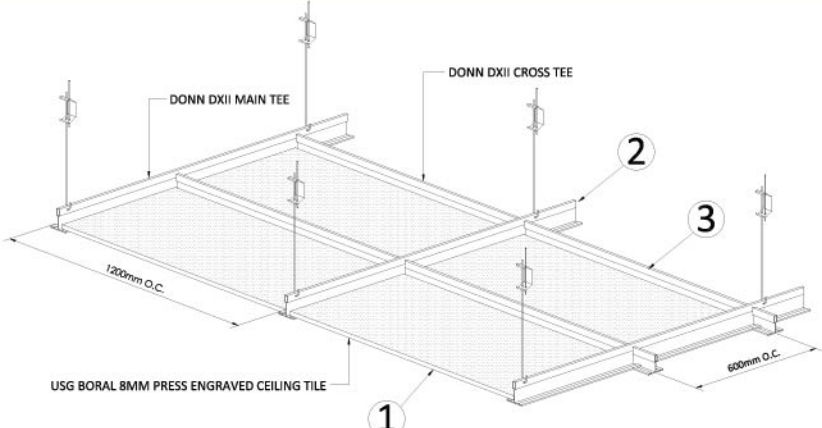
- Minitone

## Product Information

Panel Dimension Options

Thickness	Metric (mm)	8.0mm
Edge Details:	Square Edge	
T-Bar Grid Size:	Metric	600mm x 600mm 600mm x 1200mm
	Imperial	610mm x 610mm (2'x2') 610mm x 1220mm (2'x4')
Board Size:	Metric	595mm x 595mm 595mm x 1195mm
	Imperial	603mm x 603mm 603mm x 1212mm

## Suspension System Components

Suspension System Detail	Number	Item Number	Description
	1	P1-PANEL	Ceiling panel
	2	P-24-1	24mm Main runner (3.6m)
	3	P-24-2	24mm Main runner (1.2m)
	4	P-24-3	24mm Main runner (0.6m)

## Protective Backing

Upon request, USG Boral 8mm Press Engraved Ceiling Tiles can be provided with special backing on the reverse side.



Aluminium Foil Backing

- used in area of high temperature



PVC Backing

- designed for high humidity area to prevent sagging. It acts as a barrier against moisture.

Australia  
China  
India  
Indonesia  
Malaysia  
Middle East  
New Zealand  
Philippines  
**Singapore**  
South Korea  
Thailand  
Vietnam

**USG BORAL SINGAPORE**

8 Boon Lay Way #02-06 TradeHub 21 Singapore 609964

Tel: (65) 6272 9272 Fax: (65) 6278 5310

Email: [contact-us.sg@usgboral.com](mailto:contact-us.sg@usgboral.com)

[USGBoral.com](http://USGBoral.com)

